



# EX321U New Mobile XGA Projector

Bright, Vibrant Images, Exceptional Performance and Enhanced Functionality

## High image quality

### 3000lm Brightness and 2700:1 Contrast

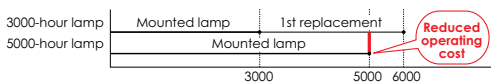
The EX321U reproduces quality images using 3000lm brightness at a high contrast ratio of 2700:1. Whether used in a meeting room or classroom, clear images are reproduced even with ambient light.



## High reliability

### Estimated 5000-hour lamp life (in Low mode)

A longer service life for the projection lamp has been achieved by incorporating an optimal design for lamp temperature control. Benefits include substantial reductions in projector operating cost and the labor required for changing the lamp.



Lamp life specification is an estimate based on verification under proper conditions and is not the duration of the warranty. Lamp will shut-off automatically when usage reaches the specified estimated maximum lamp hours. Service life may vary widely depending on usage and operating environment and conditions, as well as users' adherence to the maintenance and cleaning procedures provided in the user's manual.

## User friendly functions

- High-power 1.3x zooms lens
- Advanced Network Management
- Direct power off

## More functions

- 3D Ready – Enjoy the future today
- Wall screen
- Quiet 28dB operation
- Top-loading lamp<sup>\*1</sup>
- Stand-by mode under 0.5W<sup>\*2</sup>
- BrilliantColour™<sup>\*3</sup> (6-segment colour wheel) adopted
- 18 language on-screen display capable
- Closed Caption (CC) capable
- Dual RGB input terminal
- Audio pass through



Top-loading lamp



\*1 A lamp replacement attachment is included to prevent the lamp from being dropped during replacement. \*2 When LAN control is set to RS-232C, and "Stand-by Audio Out" and "Stand-by Monitor Out" are set to "Off". \*3 BrilliantColour is a trademark of Texas Instruments.

**NEW**

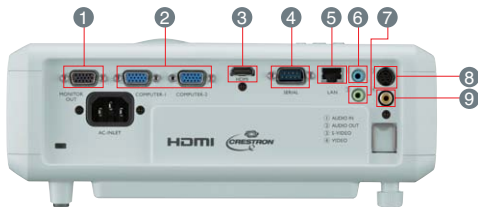
MOBILE XGA PROJECTOR

# EX321U



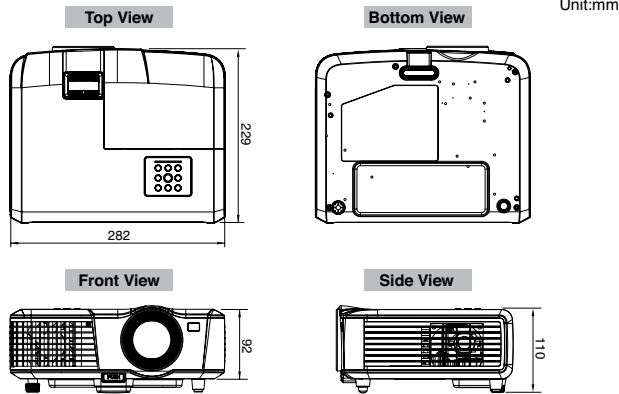
|                  |                |               |                  |                |                   |                     |
|------------------|----------------|---------------|------------------|----------------|-------------------|---------------------|
| Brilliant Color™ | Wall Screen    | Password Lock | Direct Power Off | Long-life Lamp | Low Standby Power | Picture Performance |
| Top Loading Lamp | Closed Caption | Low Fan Noise | LAN (RJ-45)      | HDMI           |                   | User Friendly       |

## Input and Output Terminals



- 1 Monitor output
- 2 PC/Component video input
- 3 HDMI
- 4 Serial RS-232C
- 5 LAN (RJ-45)
- 6 Audio input
- 7 Audio output
- 8 S-Video
- 9 Video

## Dimensions

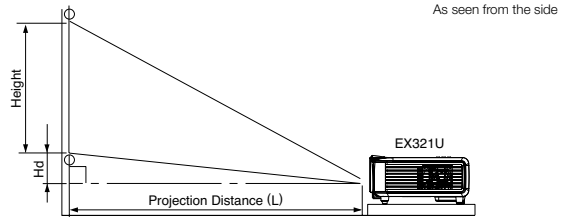


## Specifications

|                         |                                                                                                                                                                                   |
|-------------------------|-----------------------------------------------------------------------------------------------------------------------------------------------------------------------------------|
| Model                   | EX321U                                                                                                                                                                            |
| Display Technology      | 0.55" 1-Chip DMD                                                                                                                                                                  |
| Resolution              | 1024 x 768 (Total 786,432 pixels)                                                                                                                                                 |
| Brightness*             | 3000lm                                                                                                                                                                            |
| Contrast Ratio          | 2700 : 1                                                                                                                                                                          |
| Picture Size            | 40" - 300"                                                                                                                                                                        |
| Throw Ratio             | 1.5 - 2.0                                                                                                                                                                         |
| Source Lamp             | Standard Mode: 230W (Shut-off Time: 3500hrs)<br>Low Mode: 170W (Shut-off Time: 5000hrs)                                                                                           |
| PC Compatibility        | 640 x 480 - 1600 x 1200,<br>True : 1024 x 768, Sync on Green available                                                                                                            |
| Video Compatibility     | NTSC / NTSC 4.43 / PAL (including PAL-M, N) / SECAM / PAL-60<br>Component Video; 480i/p (525i/p), 576i/p (625i/p),<br>720p (750p), 1080i/p (1125i/p 60Hz), 1080i/p (1125i/p 50Hz) |
| Input Terminals         | RGB; mini D-sub 15pin x 2 Video; RCA x 1 + S-VIDEO x 1<br>Digital; HDMI x 1 Audio; Stereo mini jack (ø3.5mm) x 1                                                                  |
| Output Terminals        | RGB; mini D-sub 15pin x 1<br>Audio; Stereo mini jack (ø3.5mm) x 1                                                                                                                 |
| Communication Terminals | Serial; D-Sub 9pin x 1 (RS-232C)<br>LAN; RJ-45 x 1 (Projector Control)                                                                                                            |
| Speaker Output          | 10W Mono                                                                                                                                                                          |
| Dimensions (W x H x D)  | 282 x 92 x 229 mm / 11.1 x 3.6 x 9.0 inch (Not including protrusion)                                                                                                              |
| Weight                  | 2.5kg / 5.5lbs                                                                                                                                                                    |
| Power Requirements      | AC 100-240V, 50/60Hz                                                                                                                                                              |
| Optional Lamp           | VLT-EX320LP                                                                                                                                                                       |

\*Compliant with ISO21118-2005 •Varies depended on condition. •All brand names and product names are trademarks, registered trademarks or trade names of their respective holders. •Lamp life specification is an estimate based on verification under proper conditions and is not the duration of the warranty. Lamp will shut-off automatically when usage reaches the specified estimated maximum lamp hours. Service life may vary widely depending on usage and operating environment and conditions, as well as users' adherence to the maintenance and cleaning procedures provided in the user manual. •HDMI, the HDMI Logo, and High-Definition Multimedia Interface are trademarks or registered trademarks of HDMI Licensing LLC in the United States and other countries.

## Screen size and Projection distance



### Screen size chart (4:3 aspect ratio)

| Screen        |           | Distance from screen (L) |                 |                |      | Height projected image (Hd) |     |     |      |    |    |
|---------------|-----------|--------------------------|-----------------|----------------|------|-----------------------------|-----|-----|------|----|----|
| Diagonal Size | Width (W) | Height (H)               | Shortest (Wide) | Longest (Tele) | inch | cm                          |     |     |      |    |    |
| 40            | 102       | 32                       | 81              | 24             | 61   | 48                          | 1.2 | 63  | 1.6  | 2  | 5  |
| 60            | 152       | 48                       | 122             | 36             | 91   | 73                          | 1.8 | 94  | 2.4  | 3  | 7  |
| 80            | 203       | 64                       | 163             | 48             | 122  | 97                          | 2.5 | 126 | 3.2  | 4  | 9  |
| 100           | 254       | 80                       | 203             | 60             | 152  | 121                         | 3.1 | 157 | 4.0  | 5  | 11 |
| 120           | 305       | 96                       | 244             | 72             | 183  | 145                         | 3.7 | 189 | 4.8  | 5  | 14 |
| 150           | 381       | 120                      | 305             | 90             | 229  | 182                         | 4.6 | 236 | 6.0  | 7  | 17 |
| 200           | 508       | 160                      | 406             | 120            | 305  | 242                         | 6.2 | 315 | 8.0  | 9  | 23 |
| 250           | 635       | 200                      | 508             | 150            | 381  | 303                         | 7.7 | 394 | 10.0 | 11 | 29 |
| 300           | 762       | 240                      | 610             | 180            | 457  | 363                         | 9.2 | 472 | 12.0 | 14 | 34 |

The above numbers are approximate, and may be slightly different from the actual measurements.

### Screen size chart (16:9 aspect ratio)

| Screen        |           | Distance from screen (L) |                 |                |      | Height projected image (Hd) |      |     |      |    |    |
|---------------|-----------|--------------------------|-----------------|----------------|------|-----------------------------|------|-----|------|----|----|
| Diagonal Size | Width (W) | Height (H)               | Shortest (Wide) | Longest (Tele) | inch | cm                          |      |     |      |    |    |
| 40            | 102       | 35                       | 89              | 20             | 50   | 52                          | 1.3  | 68  | 1.7  | 5  | 13 |
| 60            | 152       | 52                       | 133             | 29             | 75   | 78                          | 2.0  | 102 | 2.6  | 8  | 20 |
| 80            | 203       | 70                       | 177             | 39             | 100  | 105                         | 2.7  | 136 | 3.5  | 10 | 26 |
| 100           | 254       | 87                       | 221             | 49             | 125  | 131                         | 3.3  | 170 | 4.3  | 13 | 33 |
| 120           | 305       | 105                      | 266             | 59             | 149  | 157                         | 4.0  | 204 | 5.2  | 16 | 40 |
| 150           | 381       | 131                      | 332             | 74             | 187  | 196                         | 5.0  | 255 | 6.5  | 19 | 49 |
| 200           | 508       | 174                      | 443             | 98             | 249  | 261                         | 6.6  | 340 | 8.6  | 26 | 66 |
| 250           | 635       | 218                      | 553             | 123            | 311  | 327                         | 8.3  | 425 | 10.8 | 32 | 82 |
| 300           | 762       | 261                      | 664             | 147            | 374  | 392                         | 10.0 | —   | —    | 39 | 99 |

The above numbers are approximate, and may be slightly different from the actual measurements.



for a greener tomorrow

Eco Changes is the Mitsubishi Electric Group's environmental statement, and expresses the Group's stance on environmental management. Through a wide range of businesses, we are helping contribute to the realization of a sustainable society.

Effective January 2013. Specifications are subject to change without notice.

**Brighter** display solutions

displays.mitsubishielectric.eu displays@meuk.mee.com

UK & Middle East + 44 1707 278 684  
Germany + 49 2102 486 9250

Italy + 39 039 60531  
Spain + 34 935 653 131

France + 33 1 5568 5568  
Sweden + 46 8625 10 00

Benelux, Eastern Europe & Russia + 31 297 282 461

